



CITY OF HALTOM CITY, TEXAS 76117 – 5024 BROADWAY AVENUE  
Phone – 817-222-7730 --- Fax 817-222-7739

**CONTRACTOR LICENSE FORM      \$100.00 ANNUAL FEE**

**20% Admin fee for Canceled Permits prior to Inspection**

**Provide copy of State License, Driver's License and Certificate of Insurance**

NAME: \_\_\_\_\_

HOME ADDRESS: \_\_\_\_\_

CITY: \_\_\_\_\_ STATE: \_\_\_\_\_ ZIP: \_\_\_\_\_

HOME PHONE #: \_\_\_\_\_ CELL PHONE #: \_\_\_\_\_

DRIVER'S LICENSE #: \_\_\_\_\_ EMAIL: \_\_\_\_\_

\*\*\*\*\*

BUSINESS NAME: \_\_\_\_\_

BUSINESS ADDRESS: \_\_\_\_\_

CITY: \_\_\_\_\_ STATE: \_\_\_\_\_ ZIP: \_\_\_\_\_

BUSINESS PHONE #: \_\_\_\_\_ FAX PHONE #: \_\_\_\_\_

**INDIVIDUALS WHO ARE AUTHORIZED TO OBTAIN PERMITS:**

NAME

DRIVER'S LICENSE NUMBER

(SELF)

\_\_\_\_\_  
\_\_\_\_\_  
\_\_\_\_\_

\*\*\*\*\*

**FOR OFFICE USE ONLY:**      Date \_\_\_\_\_ Amount Paid \$ \_\_\_\_\_  
Received by: \_\_\_\_\_ Receipt # \_\_\_\_\_

Registration Expiration Date \_\_\_\_\_

License Expiration Date \_\_\_\_\_

Insurance Expiration Date \_\_\_\_\_

Bond Amount \$ \_\_\_\_\_ Bond Expiration Date \_\_\_\_\_

A/C/Mechanical      Fire      General Contractor      GC/Roof      GC/Sign      Housemover  
Irrigation      LPGas      Plumber      Street      Electrician

**APPLICATION FOR LICENSE FOR PERFORMING WORK  
IN PUBLIC STREETS, ALLEYS AND THOROUGHFARES  
IN THE CITY OF HALTOM CITY, TEXAS**

\_\_\_\_\_ (applicant/company name), hereby makes application for license as provided for in Ordinance No. 988; stating that applicant is fully qualified to complete properly and work which may be undertaken, and will have available the necessary equipment; and furnishes the following in support of this applicant:

1. Number of years in business as a General Contractor under present business name: \_\_\_\_\_
2. Number of years experience by organization:
  - a. As a General Contractor: \_\_\_\_\_
  - b. As a Sub-Contractor: \_\_\_\_\_
3. Applicant has (\_\_\_\_) or has not (\_\_\_\_) engaged in business under another name in the past ten years. If so, under what name? \_\_\_\_\_
4. Applicant has (\_\_\_\_) or has not (\_\_\_\_) failed to complete a contract. If so, furnish information on a separate sheet.
5. Public agencies for whom applicant has done work: \_\_\_\_\_  
\_\_\_\_\_
6. Types of construction work applicant is qualified to perform: \_\_\_\_\_  
\_\_\_\_\_
7. Type of organization (individual, partnership, corporation, etc): \_\_\_\_\_
8. Applicant's:
  - a. Home Address: \_\_\_\_\_
  - b. Business Address: \_\_\_\_\_
9. Officers, Owner or Partners of Applicant's organization (Name, Title and Number of Years Experience in Construction):  
\_\_\_\_\_  
\_\_\_\_\_  
\_\_\_\_\_

Applicant is familiar with the City of Haltom City Ordinance No. 988, and will furnish the required bonds satisfactory to the City of Haltom City, Texas, and agrees to complete all work in compliance with the requirements established by the City Engineer.

\_\_\_\_\_  
Applicant's Signature and Date

## **INSURANCE REQUIREMENTS**

General liability insurance in the amount of not less than one hundred thousand dollars (\$100,000.00) for any one accident; fifty thousand dollars (\$50,000.00) for any one person; and property damage insurance in the amount of not less than ten thousand dollars (\$10,000.00) for any one accident.

City Ordinance 758  
Passed 11/09/1972

Must be in the form of a Certificate of Insurance.

Also must be an original, made out to the City of Haltom City as the certificate holder. NO faxes or copies.

**CITY OF HALTOM CITY, TEXAS  
5024 Broadway Avenue  
Haltom City, TX 76117**

**STREET BOND INFORMATION**

**TO WHOM IT MAY CONCERN:**

**A SURETY SEAL MUST BE ADHERED TO THE SECOND PAGE OF THIS BOND FORM IN ORDER FOR THE CITY TO ISSUE ANY PERMITS.**

**A POWER OF ATTORNEY MUST ALSO BE ATTACHED FROM THE INSURANCE COMPANY BEFORE SAID PERMITS ARE ISSUED.**

**BOND FORM MUST HAVE ORIGINAL SIGNATURES – NO COPIES OR FAXES.**

**THANK YOU.**

**Planning & Inspections Department  
817.222.7730**

**CITY OF HALTOM CITY, TEXAS**

**CONTRACTORS BOND FOR WORK IN PUBLIC STREETS,**

**ALLEYS AND THOROUGHFARES**

**THE STATE OF TEXAS        ]**  
                                          **]**  
**COUNTY OF TARRANT        ]**

**KNOW BY ALL MEN THESE PRESENTS**

That we, \_\_\_\_\_, as principal, and \_\_\_\_\_, as surety, are held and firmly bound unto the City of Haltom City, Texas, in the penal sum of Five Thousand Dollars (\$5,000.00) and good and lawful money on the United States of America, well and truly to be paid and for the payment for which we, and each of us, hereby bind ourselves, our heirs, executors, administrators and successors, jointly and separately, firmly by these presents;

THE CONDITIONS OF THIS OBLIGATION ARE SUCH THAT WHEREAS, the above principal desires to engage in the business or laying, constructing, building, repairing, rebuilding, grading, cutting, graveling, paving, surfacing, resurfacing, and doing work in and upon the public streets, alleys or thoroughfares within the corporate limits of the City of Haltom City, Texas, and has complied with all of the terms and conditions of Ordinance 758 as amended by Ordinance 988 of the City of Haltom City, Texas, and has applied to the City Engineer of said City for a license to do such work, which license shall be in force from the date of issuance until revoked by the City Engineer.

NOW, THEREFORE, if said principal shall fully indemnify and save whole and harmless said City of Haltom City and its agents and employees from any and all damages of any character arising from or caused directly or indirectly by an negligence in the performance of such work as above set forth under the terms of said ordinance and said license or for any imperfect or inadequate work done by said principal under the terms of said ordinance and said license, and shall maintain said work in good and workmanlike state of repair for a period of two (2) years from and after its completion and acceptance by the City of Haltom City, Texas, this obligation shall

be null and void, otherwise to remain in full force and effect, provided, however, this bond is executed by the surety on the condition that its liability shall be limited by the subject to the condition and provisions hereunder contained;

Successive action may be brought on this bond for successive breaches of its conditions of any of them, provided, however, that the total sum of all liability of the surety on any one or all of such actions shall not exceed a total sum of Five Thousand Dollars (\$5,000.00).

The liability of the surety under this bond, if not cancelled as hereinafter provided, shall cease and determine of its own force and effect one (1) year from the date hereon, save and except for the maintenance of the work performed prior to the date of termination, and for which the liability of the surety for maintenance shall continue for two (2) years from and after the date of completion and acceptance of said work by the City as aforesaid.

The surety may terminate its liability under this bond, at any time, by giving the City Council of the City of Haltom City, Texas, fifteen (15) days notice in writing of the surety's intention to do so and from and after the fifteenth day following the giving of such notice, the surety will no longer be liable for any subsequent act of the principal.

IN WITNESS WHEREOF, the said principal and the said surety have set their hands and seal this the \_\_\_\_\_ day of \_\_\_\_\_, \_\_\_\_\_.

\_\_\_\_\_  
Address of Principal

\_\_\_\_\_  
Name of Principal

\_\_\_\_\_  
City, State and ZIP

By: \_\_\_\_\_  
Signature of Principal

\_\_\_\_\_  
Address of Surety

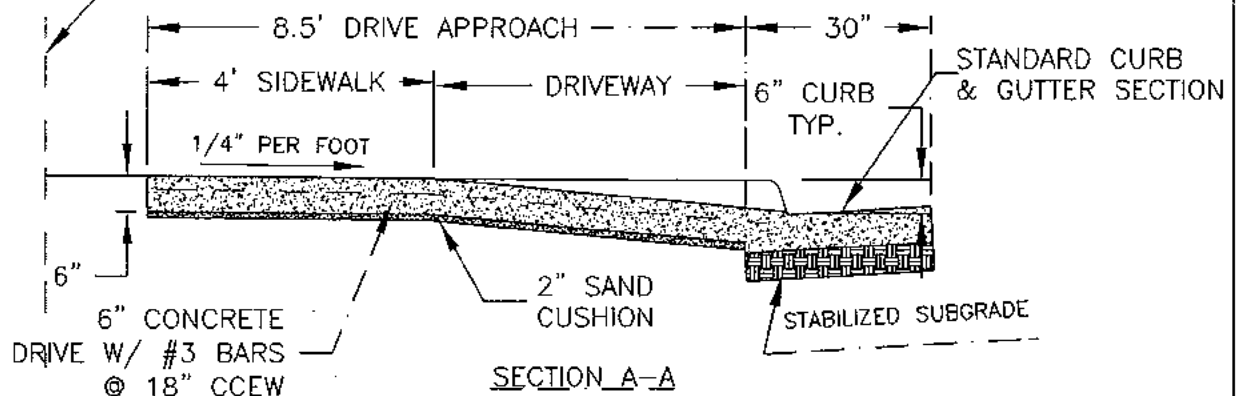
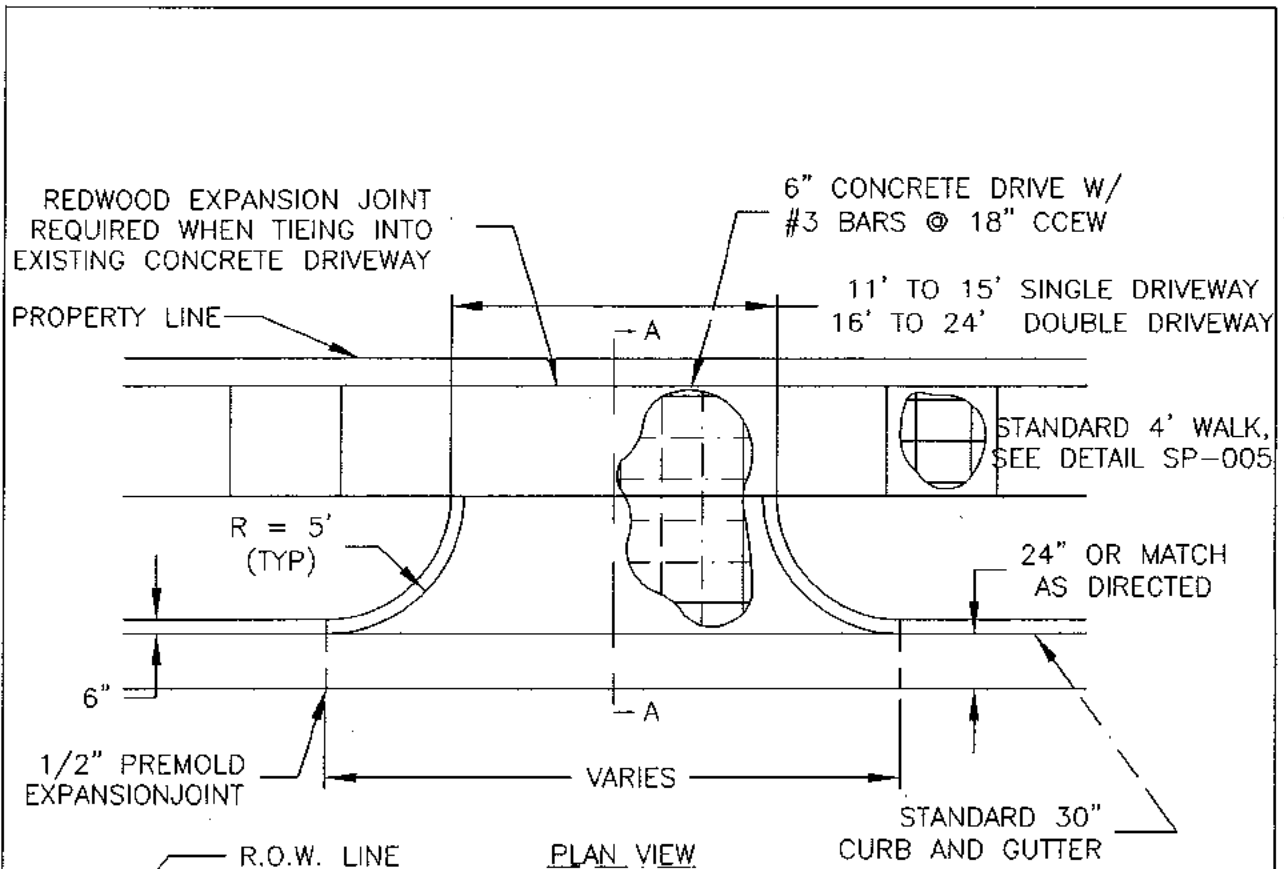
\_\_\_\_\_  
Surety

\_\_\_\_\_  
City, State and ZIP

By: \_\_\_\_\_  
Signature

\_\_\_\_\_  
Title

SEAL



NOTES:

1. #4 DOWEL BARS AT 18" C-C SHALL BE USED WHEN CONNECTING TO EXISTING SIDEWALKS DRIVEWAYS, CURB AND GUTTER.
2. EXISTING CURB AND GUTTER, IF ANY, SHALL BE SAW CUT AS DIRECTED BY THE CITY ENGINEER.
3. SIDEWALK SECTION THRU DRIVEWAY TO BE POURED SAME THICKNESS AS DRIVEWAY APPROACH AND PAID FOR AS DRIVEWAY APPROACH. (EXISTING SIDEWALK, IF ANY, TO BE REMOVED AND REPLACED)
4. STANDARD RETURN RISE IS 7.25" AT A 6" CURB AND 5.25" AT A 4" CURB SECTION.

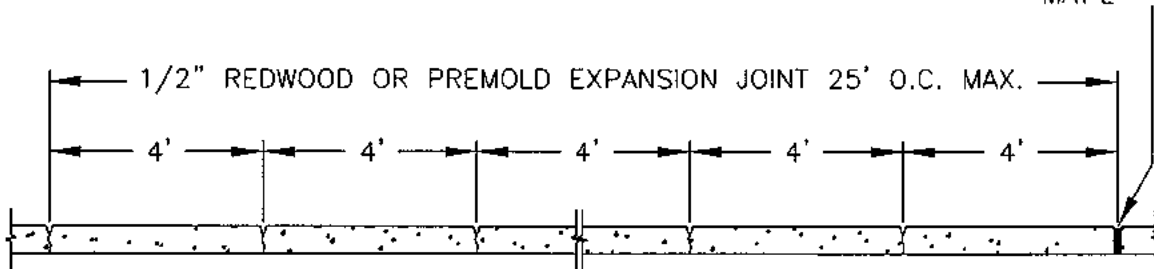
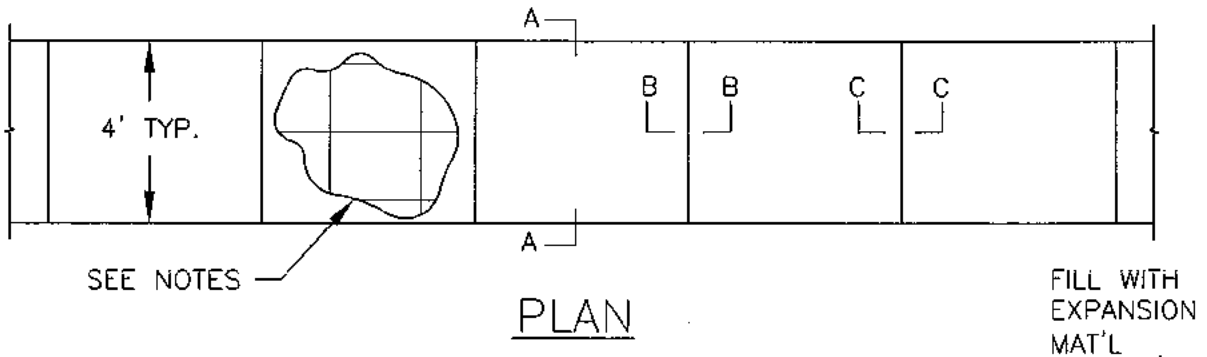
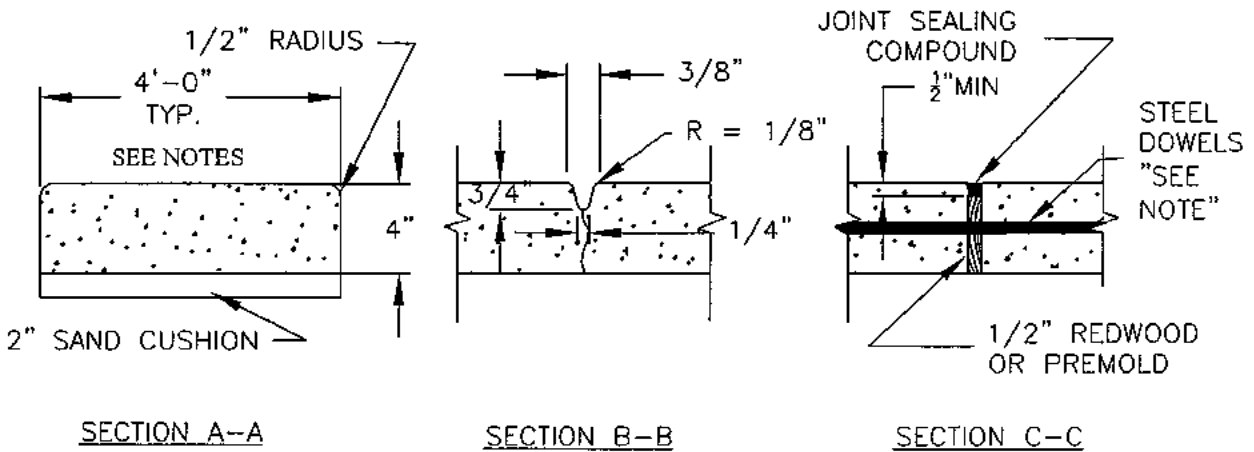
OCT. 2006



CITY OF HALTOM CITY  
5024 BROADWAY AVENUE, P.O. BOX 14246  
HALTOM CITY, TEXAS 76117

RESIDENTIAL  
CONCRETE  
APPROACH  
SP-09

## 4" CONCRETE SIDEWALK



**NOTES:**

1. LONGITUDINAL REINFORCEMENT #3 BARS SPACED AT 18" C-C.  
TRANSVERSED REINFORCEMENT #3 BARS SPACED AT 18" C-C.
2. EXPANSION JOINTS, DOWEL WITH #4 X 24" BARS AT 18" C-C , 12" THRU EXPANSION JOINT. USE AT CONNECTION TO EXISTING CONCRETE SIDEWALKS, DRIVEWAYS, OR CURBS.
3. CROSS SLOPE TO BE 1/4" PER FOOT.
4. 5' REQUIRES WHTN NEXT TO CURB OR IN TXDOT ROW.

OCT. 2006



CITY OF HALTOM CITY  
5024 BROADWAY AVENUE, P.O. BOX 14246  
HALTOM CITY, TEXAS 76117

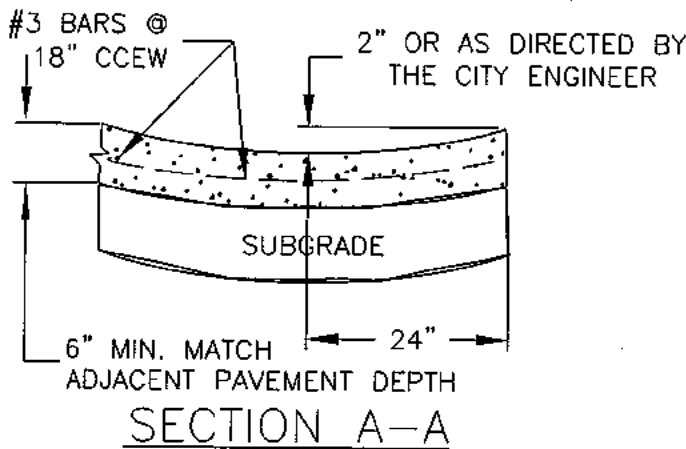
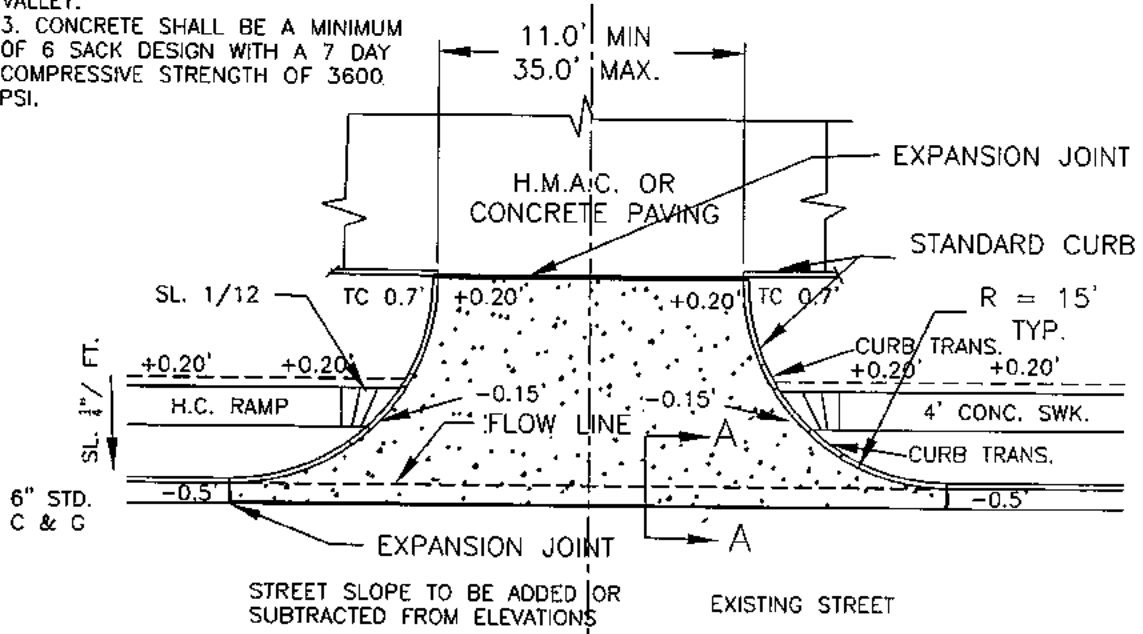
SIDEWALK,  
JOINT  
SP-010



NOTES:

1. GUTTER TO BE SHAPED TO CONFORM WITH CONCRETE VALLEY (OR PAVEMENT)
2. CURB & GUTTER TOP BE PLACED MONOLITHICALLY WITH CONCRETE VALLEY.
3. CONCRETE SHALL BE A MINIMUM OF 6 SACK DESIGN WITH A 7 DAY COMPRESSIVE STRENGTH OF 3600 PSI.

PARKING OR DRIVE AREA



NOTE: ELEVATION AT STREET IS TO BE ADDED TO SPOT ELEVATION SHOWN TO ESTABLISH ELEVATIONS OF DRIVEWAY

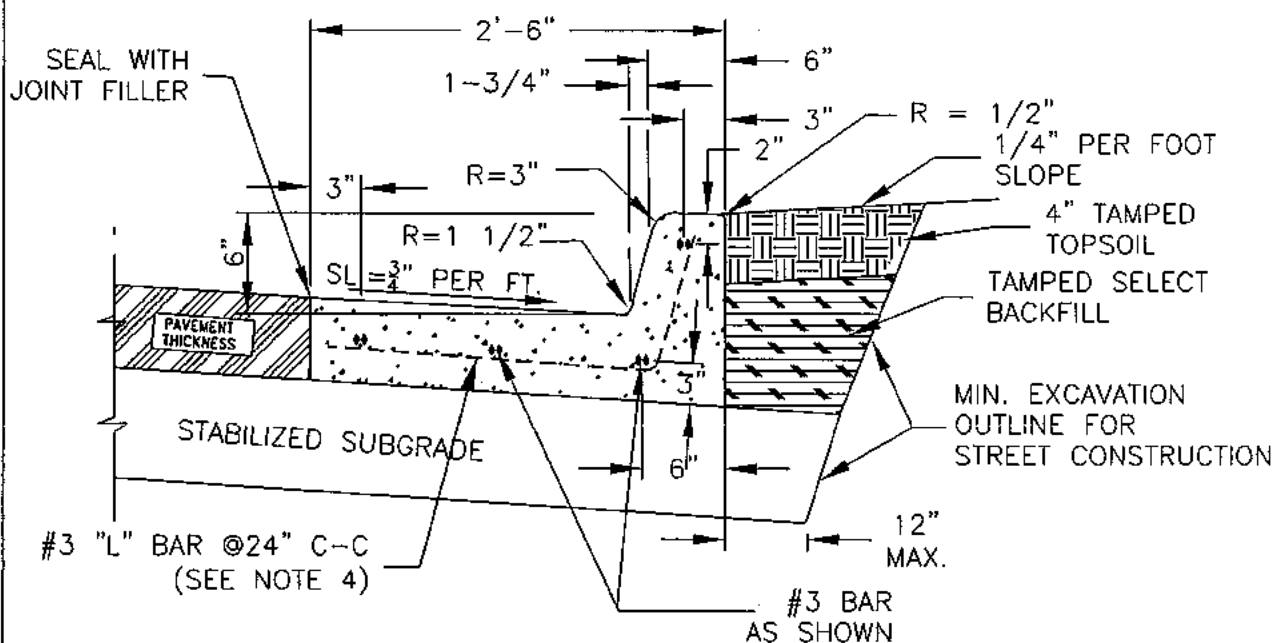
SEPT. 2004



CITY OF HALTOM CITY  
5024 BROADWAY AVENUE, P.O. BOX 14246  
HALTOM CITY, TEXAS 76117

COMMERCIAL  
DRIVEWAY  
SP-012

NOTE:  
SAW CUT FULL DEPTH OF EXISTING PAVEMENT.



NOTES:

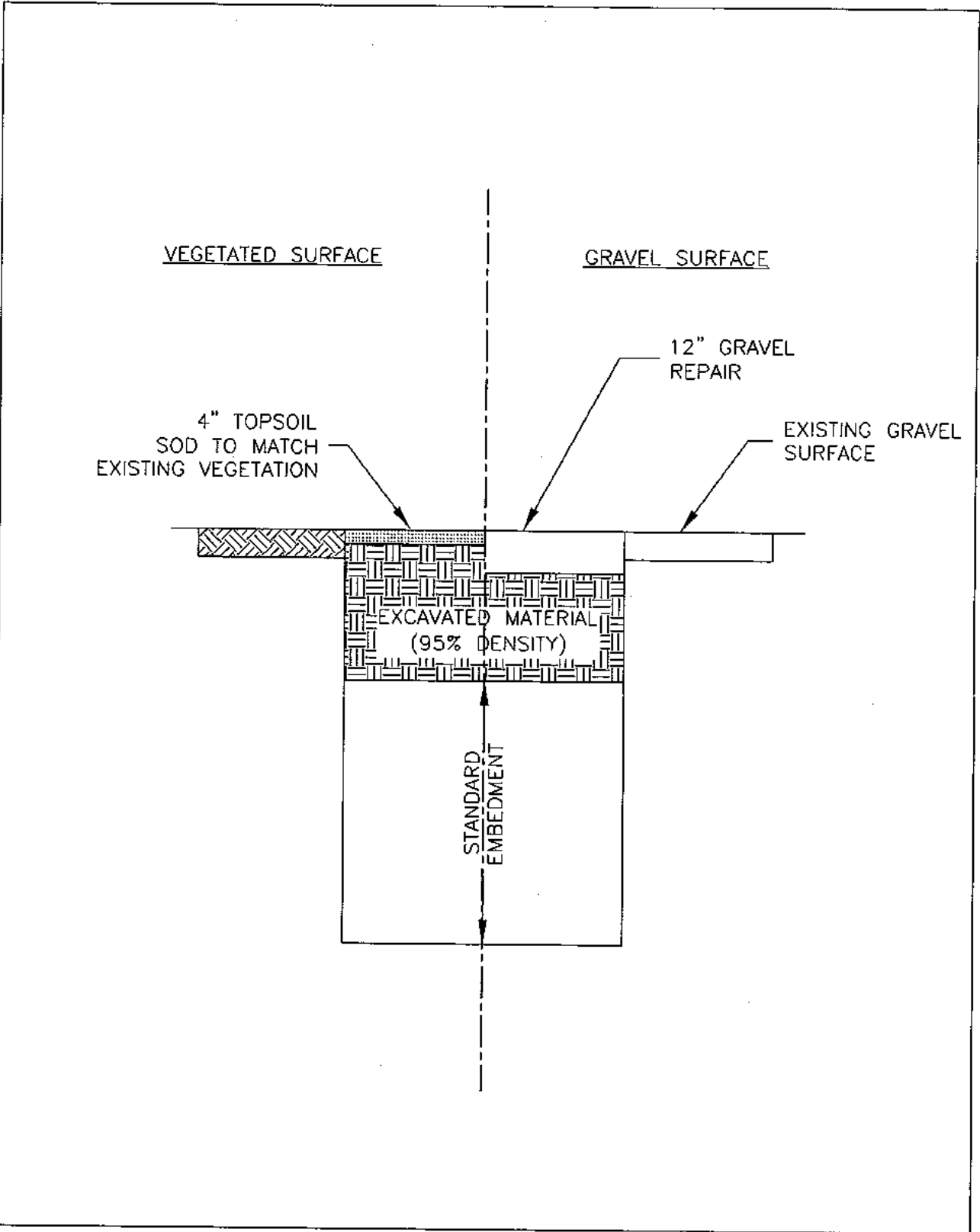
1. CURB AND GUTTER TO BE MACHINE PLACED UNLESS OTHERWISE APPROVED BY THE CITY ENGINEER.
2. CURB AND GUTTER IS NOT PLACED MONOLITHICALLY WITH CONCRETE PAVING.
3. SEE CONCRETE STREET SECTION FOR MONOLITHIC PLACED CURB AND GUTTER (SP-006)
4. #3 L-BARS TO BE INSTALLED ONLY WHEN CURB AND GUTTER IS "HAND PLACED"

OCT. 2006




CITY OF HALTOM CITY  
5024 BROADWAY AVENUE, P.O. BOX 14246  
HALTOM CITY, TEXAS 76117

COMB. CURB  
AND GUTTER  
SP-016



SEPT. 2004


**CITY OF HALTOM CITY**  
 5024 BROADWAY AVENUE, P.O. BOX 14246  
 HALTOM CITY, TEXAS 76117

**SURFACE REPAIR**  
 SP-023